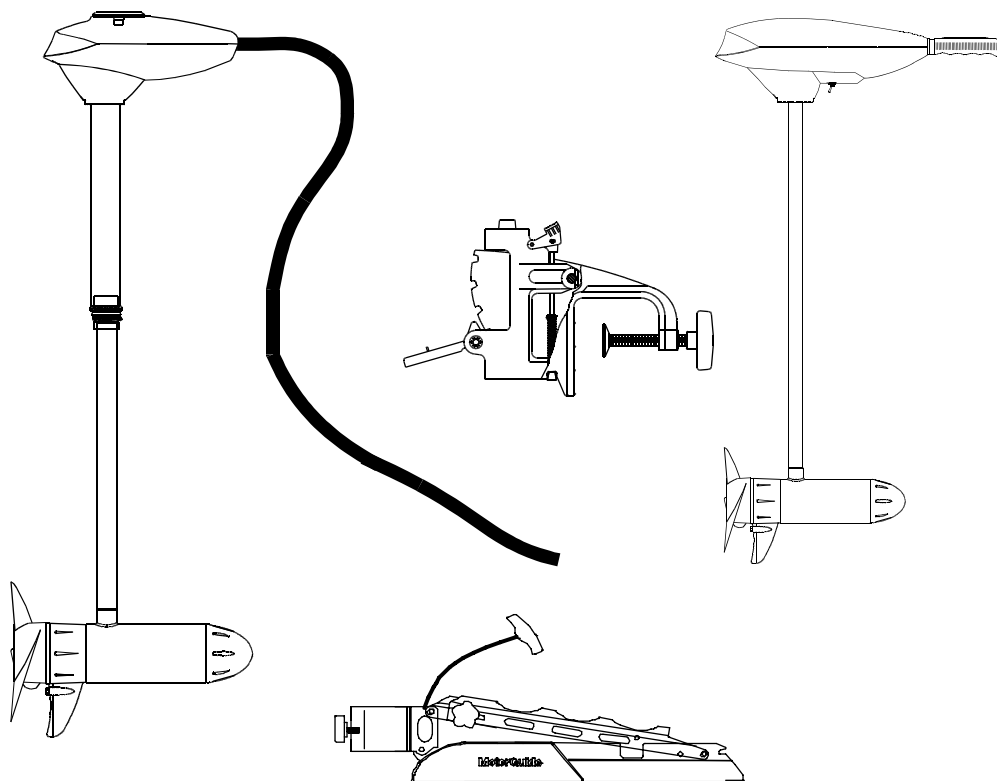


# MotorGuide<sup>®</sup> MARINE

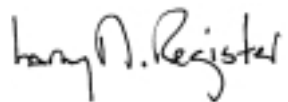
## OWNER'S INSTRUCTION MANUAL

- **INSTALLATION**
- **OPERATION**
- **MAINTENANCE**

**MODELS:**  
*Freshwater, Saltwater,  
Tour and Tour ES*



This MotorGuide electric outboard motor assembled of U.S.A and foreign components by MotorGuide, 835 W. 41st St., Tulsa, OK, USA, complies with requirements of Directives 89/392/EEC and 89/336/EEC as amended.



Larry Register

Motorguide Business Unit Manager  
MotorGuide  
835 W. 41st St., Tulsa, OK, USA

# TABLE OF CONTENTS

## General Information

Safety Do's and Don'ts .....	2
Specifications .....	2
Wiring and Battery Recommendations .....	2
Transom Mount Installation .....	4
Pontoon Mount Installation .....	5
Bow Mount Installation .....	5
Bow Mount Operation .....	6
Operation .....	7

## Tour ES

Making Final Touches .....	8
Features and Operation .....	9
How to Operate Motor .....	9
To Select Trolling Mode .....	10
First Time Setup .....	10

## Maintenance

How to Replace the Propeller.....	12
Customer Responsibilities .....	12

## Troubleshooting

Trolling Motor .....	13
Mount .....	13

## Repair Parts and Service

For Repair Service .....	14
For Replacement Parts and Ordering.....	14

## GENERAL INFORMATION

Please read and retain this manual. The information contained in this manual describes the proper procedures for safely installing, operating and maintaining your motor.






The description and specifications contained herein were in effect at the time this manual was approved for printing. MotorGuide, whose policy is one of continual improvement, reserves the right to discontinue models at any time, to change specifications, designs, methods of procedures without notice and without incurring obligation.

Safety and operating information that is practiced along with good common sense can help prevent personal injury and product damage.

### WARNING

**Disconnect trolling motor from battery(s) before charging**

### SAFETY DO'S AND DON'TS

-  Do not allow children to operate the fishing motor without adult supervision.
-  Do not modify the unit in any way or add accessories not intended for this motor.
-  The propeller turns when the motor is running.  
**Always disconnect power from motor when replacing prop, removing debris around prop, charging batteries, trailering boat or when the motor is not in use.**
-  **Always make sure motor is securely locked into stowed position if using a gasoline motor to move quickly to another location, or when trailering boat.**
-  Be sure to secure loose items on boat before traveling at high speeds across water.

### SPECIFICATIONS

Model	Volts	Kwatts	Kilos
30 HT	12	0.20	6.40
46 HT	12	0.28	8.40
54 HT	12	0.34	9.40
54 HTV	12	0.34	11.40
46 FB	12	0.28	14.80
54 FB	12	0.34	16.00

## WIRING AND BATTERY RECOMMENDATIONS

### Wire and cable routing

- Route trolling motor wires on opposite sides of the boat from other wiring, directly to trolling motor battery.
- Transducer installation should be installed according to the manufacturer's specifications, and cables routed separately from the trolling motor power cables.

**IMPORTANT: Do not route transducer cable down trolling motor power cord or foot pedal assembly cable. Route transducer cable down arm of mount, then into bow console.**

- Sensitive electronics, depth finders in particular, should be connected directly to the main engine battery. If only a one battery system, then connect with separate cables.
- MotorGuide recommends isolating the trolling motor battery(s) from the main engine battery.

### IMPORTANT: Proper rigging guidelines

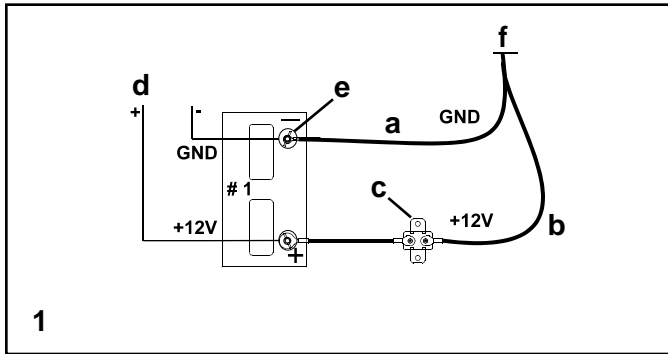
- Not having a common ground can cause corrosion. If left unchecked, this problem will damage your motor.
- Establishing a common ground connection will allow increased sensitivity and improve detail on sonar display.
- **Establish a Common Ground** – Common ground means the grounds for the main engine accessories and your trolling motor are connected to the same terminal.

### WARNING

**Batteries contain sulfuric acid which can cause severe burns. Avoid contact with skin, eyes, and clothing. The battery also produces hydrogen and oxygen gases when being charges. This explosive gas escapes through the fill vent cell caps and may form an explosive atmosphere around the battery for several hours after it has been charged. Electrical arching or flames can ignite the gas and cause an explosion which may shatter the battery and could cause blindness or other serious injury.**

- **Battery Type** – The recommended battery(s), 12 volt Deep Cycle battery with at least 105 ampere hour rating or higher.
- **Circuit Protection** – MotorGuide recommends installing a 50 amp manual reset circuit breaker in the trolling motor leads within (1.8 m) 72 inches of the battery(s). To order a circuit breaker kit contact your local SuperCenter, order kit number MM5870.
- **Wire Size** – For optimum performance, MotorGuide recommends the use of six (6) gauge wire if extending existing wire more than (3 m) 10 feet beyond the standard battery cable supplies with product.
- **Bow Plugs** – For temporary trolling motor installations, MotorGuide recommends the use of a quality plug designed for marine applications.

## 12 Volt battery hook-up



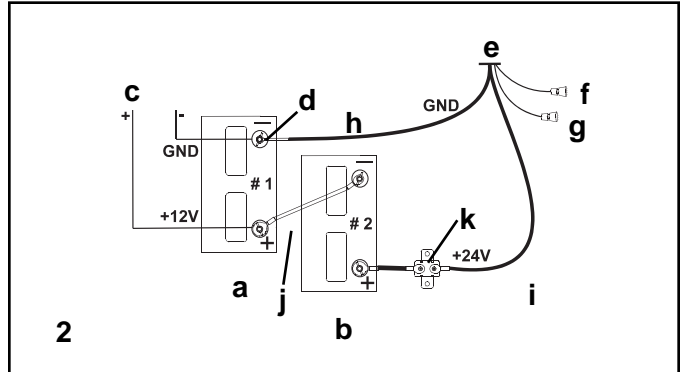
- 1
- a. Black battery lead
  - b. Red battery lead
  - c. 50 amp circuit breaker
  - d. Main engine, bilge pumps, aerators, accessories
  - e. Common ground
  - f. Power cable

### WARNING

**Be sure all switches are in the OFF position before connecting to batteries. Electrical arcing near the battery could ignite hydrogen gas and cause the battery to explode.**

- 1 Connect the red battery lead to the positive (+) post of the battery and connect the black battery lead to the negative (-) post of the battery. Install 50 amp circuit breaker in line with positive lead.

## 24 volt battery hook-up



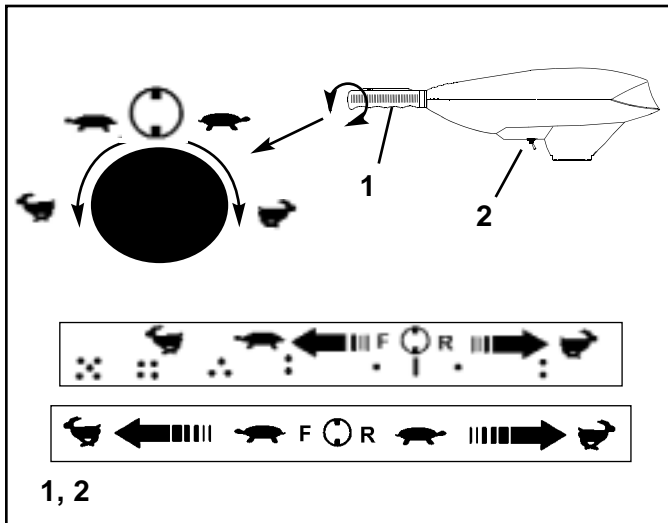
- 2
- a. Battery A
  - b. Battery B
  - c. Main engine bilge pumps, aerators, accessories
  - d. Common ground
  - e. Power cable
  - f. To foot pedal (ES models only)
  - g. To optional sonar display
  - h. Black battery lead (-)
  - i. Red battery lead (+)
  - j. Jumper wire
  - k. 50 amp circuit breaker

### WARNING

**Be sure all switches are in the OFF position before connecting to batteries. Electrical arcing near the battery could ignite hydrogen gas and cause the battery to explode.**

- 2 Connect the black battery lead to the negative (-) post of the battery. Connect the red battery lead to the positive (+) post on battery B. Connect a jumper wire to the negative (-) post of battery B and the positive (+) post of battery A. Install 50 amp circuit breaker in line with positive lead.







**CAUTION**

When adjusting the tilt on your motor, keep fingers clear of area between column and bracket.

**1 On/Off speed control** – Rotate handle clockwise to obtain forward speeds. Rotate handle counterclockwise for reverse speeds.

**2 Kill switch** – To stop motor position toggle switch to:   
To run motor position toggle switch to: 

**To use quik stow**

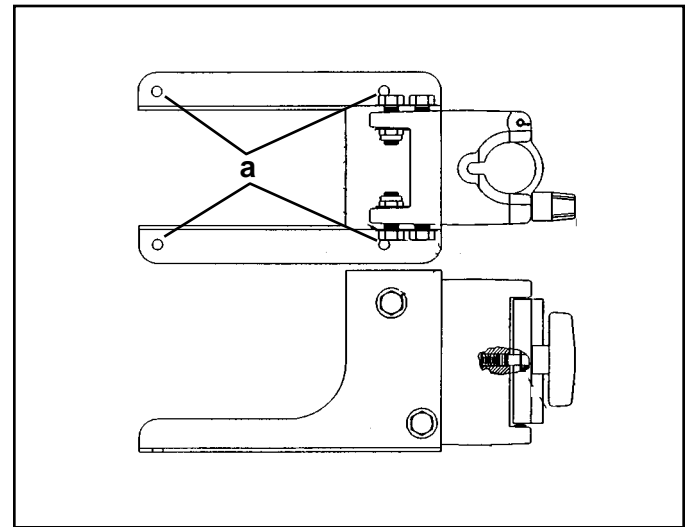
Allows you to stow motor vertically as you move from spot to spot. To lock the fishing motor in a raised position, unlock Quik Stow lever and raise the fishing motor the full length of the column and push the Quik Stow lever up. Leave lever unlocked while operating trolling motor.

**NOTE:** The Quik Stow device is designed to be stiff to ensure extended life without slipping. To make the operation of Quik Stow easier:

- If you are loosening the Quik Stow, pull up on column while pushing lever down.
- If you are securing the Quik Stow, push down on column while pulling lever up.

If your transom did not come with Quick Stow you can order the Quick Stow kit (MGA052B6) from a Motorguide Super Center.

**PONTOON MOUNT INSTALLATION**

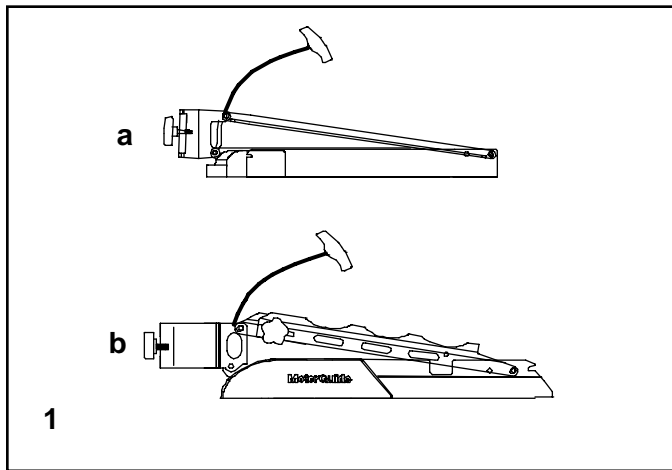


a. Mounting holes

**How to install pontoon mount**

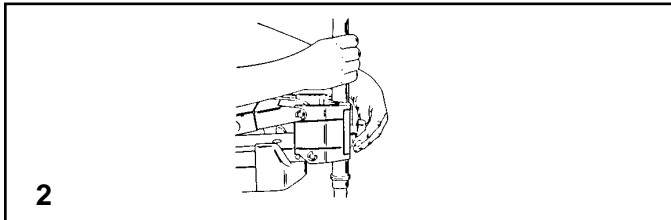
- Carefully select the area on the deck to install mount.
- Using the mount base as a template, mark the mounting holes with a drill bit.
- Drill mounting holes with (6.5 mm) 1/4 inch drill bit and debur holes.
- Install the 4 stainless steel mounting bolts through bracket mounting holes.
- Install the 4 stainless steel washers and nuts on bottom side of deck and tighten securely.

## BOW MOUNT INSTALLATION

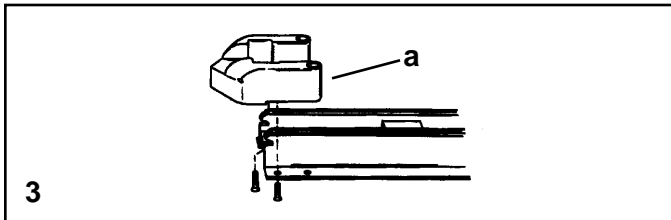


- a. Standard bow mount  
b. Heavy duty breakaway mount with spring

**1** Select mounting position very carefully. Be sure to check for clearance in all motor positions, including running and stowing positions. Make sure there is a (5 cm) 2 inch clearance from top of deck to underside for mounting screws.

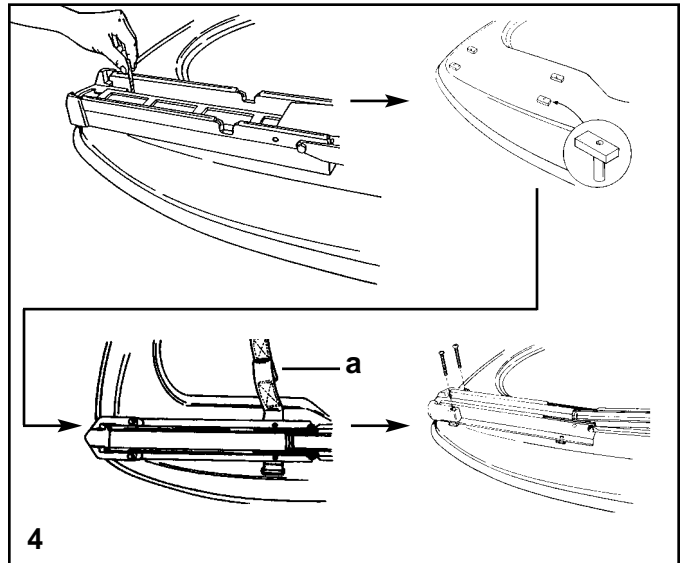


**2** To make the installation easier remove the motor from the mount bracket by loosening the tension knob on the front of the mount.



- a. Decket

**3** Using a Phillips head screwdriver, secure decket to mount base with the two decket screws provided in hardware bag.



- a. Down strap

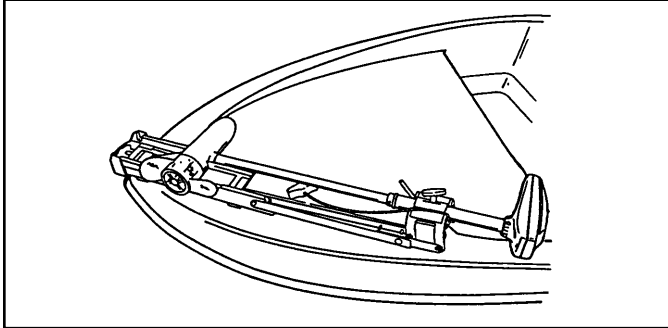
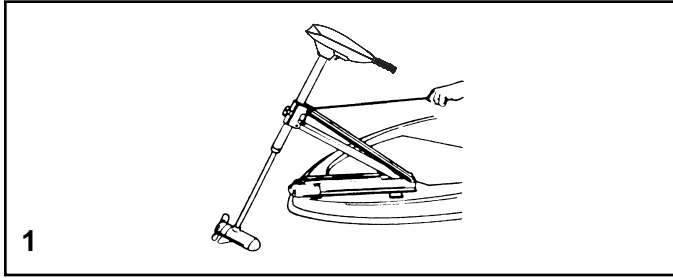
**4** Use the front mounting holes that go through the plastic decket and the rear mounting holes on mount base. Place the mount in the desired position and use the base of the mount as a template. Use a (6.5 mm) 1/4 inch drill bit to mark the mounting holes. Drill the marked holes with a 1/4 inch drill bit into the deck (5 cm) 2 inches deep.

- Redrill each mounting hole with a (13 mm) 1/2 inch drill bit.
- Insert the rubber mounting isolators into the drilled holes. Position the wider side toward the outside of the mount bracket.
- **Standard mount only - Position lock down strap between rear mount holes and rubber mounting isolators.** Position the Velcro side down on the deck and the buckle facing toward the outside of the boat.
- Place the mount bracket on the isolators and align the holes. Install the two longer screws into the front holes and the two shorter screws into the rear holes. Tighten all the mounting screws until the rubber isolators start to compress. Retighten mounting screws after the first couple of uses.

**\*\*TIP: It is important that your bracket lays flush against the isolators before you bolt it to the deck. If it is not flush, you will put the mount in a bind as you bolt it down, making it difficult or impossible to unlatch. Once installed, your bracket should latch securely with the latch pins evenly in the latch, and release with a light, easy pull of the rope handle.**



## BOW MOUNT OPERATION



### WARNING

Your trolling motor should be raised and lowered slowly by rope to avoid damage to the boat and motor. To avoid pinching a toe or finger in the mount, keep hands and feet clear of the mechanism when extending and retracting the mount.

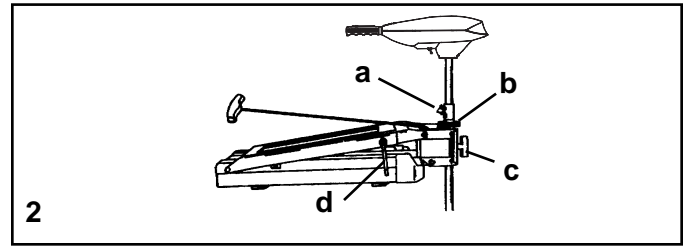
### Raise motor

- 1 To raise the fishing motor out of the water into the stow position, pull on the rope handle and raise motor until it lays down into stowed position.

### Lower motor

To lower the motor into the water from the stowed position, lift up the motor using pull rope handle and lower motor down into water.

### Adjust steering tension: (Hand operated motors only.)



- a. Depth adjustment collar
- b. Steering tension knob
- c. Door knob
- d. Breakaway tension knobs

- 2 Loosen the steering tension knob until the motor shaft slides freely.

### Adjust motor depth:

(Hand operated motors only.) Position the depth adjustment collar so the propeller blades will be submerged (15 to 30 cm) 6 to 12 inches below the water surface.

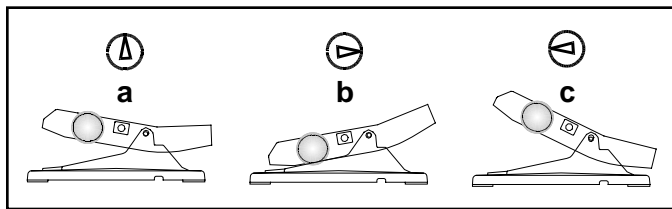
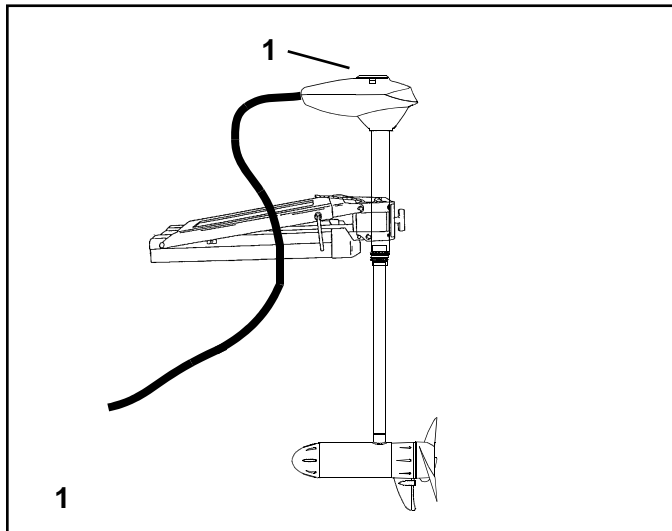
(Foot operated motors only) Loosen the hinge door knob and adjust the motor height so the propeller blades will be submerged (15 to 30 cm) 6 to 12 inches below the water surface.

**Adjust breakaway knobs on side of mount so motor will breakaway when encountering underwater obstacles. Do not lubricate the breakaway handle or overtighten!**

**SPECIAL NOTE FOR 07 STANDARD BOW:** It is normal for the bow arms to bow out slightly and flex when motor is placed in the stow position. The mount is designed this way in order to keep pressure on the trolling motor during rough water situations.

## OPERATIONS

### Directional indicator



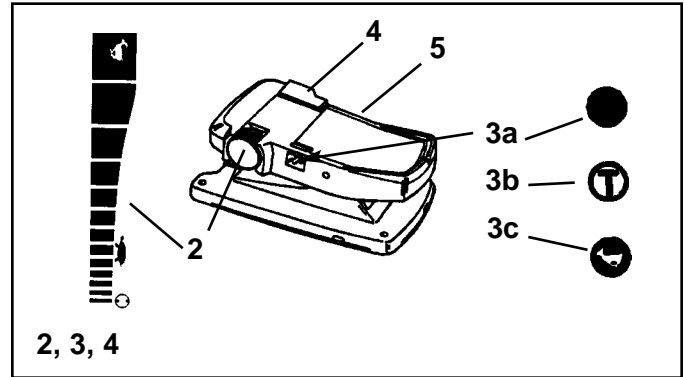
- a. Straight ahead
- b. Right turn
- c. Left turn

### WARNING

**Do not operate the unit while out of the water. Keep clear of the propeller. A rotating propeller can cause personal injury.**

- 1 Provides directional information at a glance. Pressing down on the heel of the foot pedal will steer the boat to the left. Pressing down on the toe of the foot pedal will steer the boat to the right.

### Speed control



- 2 The speed of your foot operated motor can be controlled with your foot by rolling the speed control knob on the foot pedal to the desired speed. The speed control is either 5 speed or variable, depending on your model motor. The speed control knob on a 5 speed motor is numbered 1 through 5 and allows you to select a preset speed. The speed control knob on a variable speed motor allows infinite speed selection.

### Constant/Momentary/Hi-bypass

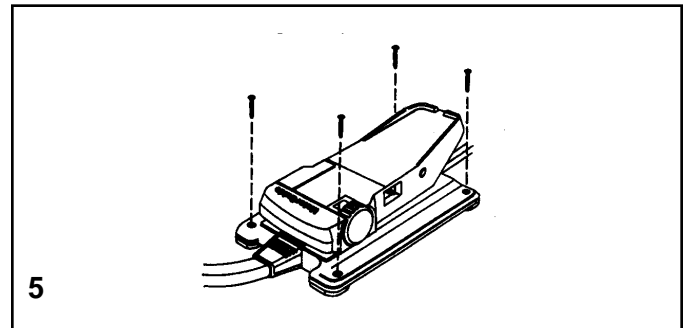
- 3 This 3 position switch provides constant on, momentary variable and hi-speed bypass.

- 3a This allows motor to run continuously without the use of the On/Off switch.
- 3b This allows motor to activate with the On/Off switch.
- 3c This will automatically deliver full thrust when the on/off switch is activated.

- 4 On/Off Switch-This switch is located on side of the foot pedal. To activate the motor, depress the ramped switch pad.

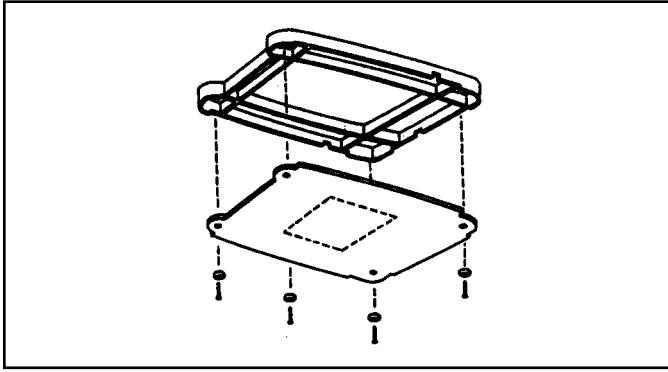
### Permanent mounting

- 5 Determine the desired location that you wish to secure the



foot pedal. Place the foot pedal in the desired location. Using a (3 mm) 7/64 inch drill bit, run the drill through the holes in the corners of the foot pedal base and into the boat deck. Using the four (4) #8 x 2" screws, run the screws through the holes in the foot pedal base and securely into the holes in the boat deck. (Refer to diagram above.)

## Weight plate mounting



For SW and FW models only.

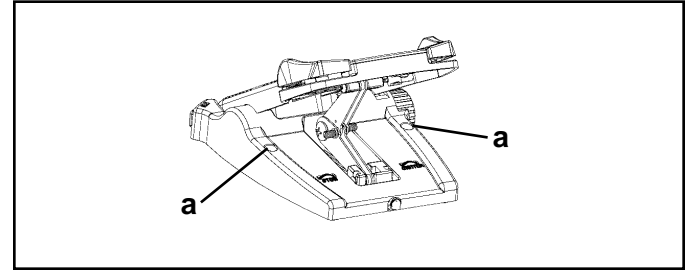
If you prefer the freedom of moving the foot pedal to any location on the boat deck, you will need to mount the weight plate to give the foot pedal additional stability.

If you would like to purchase a Weight Plate Kit for your MotorGuide trolling motor, contact the MotorGuide Super Center. Order Weight Plate Kit part number **MLP312315**. See the back of your manual for the Super Center nearest you, or visit our website at [www.motorguide.com](http://www.motorguide.com).

## TOUR ES TROLLING MOTORS

### MAKING FINAL TOUCHES

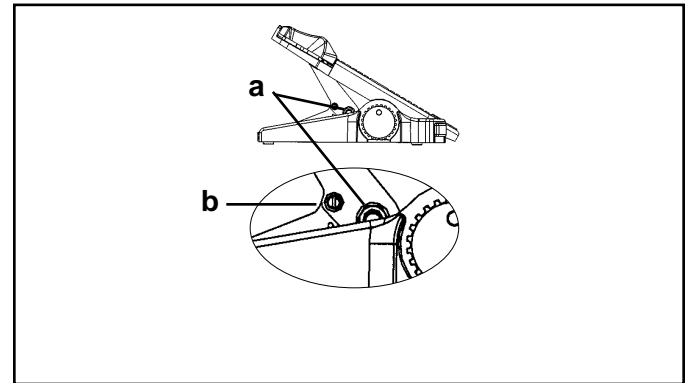
#### Hard mounting the foot pedal to the deck



a. Mounting Holes

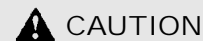
If you are planning to permanently mount your foot pedal, two holes have been provided which allow you to screw the pedal to the deck. These holes are located on the left and right side of the pedal on the pedal base. The holes are designed to accommodate a flat head, #10, wood screw.

#### Adjusting the foot pedal resistance



a. Adjustment nut

b. Ball detent screws – Do Not Adjust

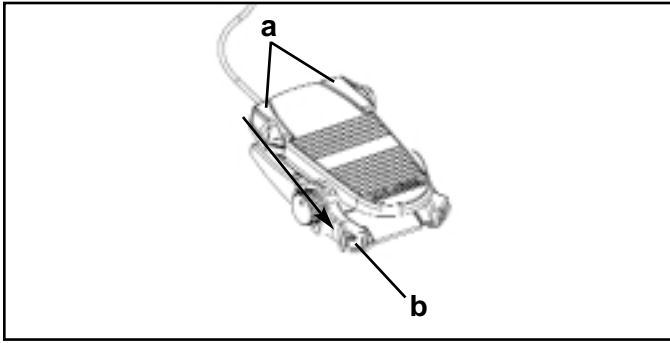


**Do not adjust the ball-detent screws. They are factory adjusted to give maximum feel to the pedal center position)**

The purpose of setting the pedal resistance is to make the pedal feel the way that you want it to feel. You may adjust the clutch mechanism to change how firm the pedal feels. The pedal resistance can be adjusted using a phillips screwdriver and a (13 mm) 1/2 inch wrench. To make this adjustment, rock the pedal heel-down and either tighten or loosen the adjustment nut under the pedal. Your pedal should operate smoothly without binding or slipping.

The pedal has a center position stop that you can feel while rocking from end to end. This is done with the ball detent screws shown in the figure. They are factory set to give maximum pressure to this feature and are not intended to be field adjusted.

## Selecting Momentary Buttons



- a. Press and hold button(s) to activate
- b. Press and release three times

Both momentary buttons are programmed to be active from the factory. Tour ES allows the user the option of activating either or both momentary buttons. If you prefer to have only one button active. When the user programs only one button to be active, the other button automatically deactivates.

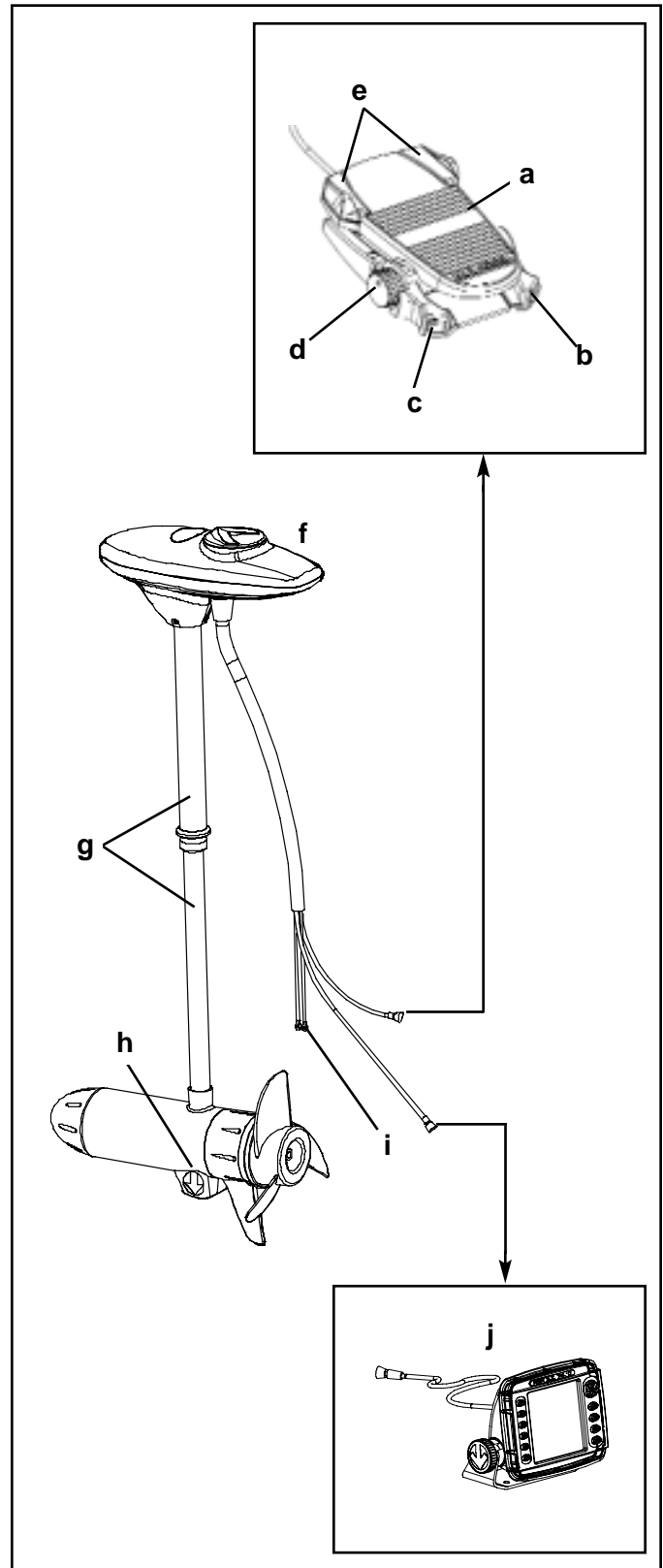
- To select a momentary button:

Press and hold the momentary button you want to be active, press and release the Constant button three times, then release all buttons.

- To activate both momentary buttons:

Press and hold both momentary buttons, press and release the Constant button three times, then release all buttons.

## FEATURES AND OPERATION



- a. Heel/Toe action servo positioning pedal
- b. Stow/Run button
- c. Constant on button
- d. Speed wheel
- e. Selectable momentary buttons
- f. Lighted directional pointer
- g. Stainless steel outer tube and column
- h. Pinpoint partner emblem (\*select models)
- i. Battery cable
- j. \*Connects to optional Pinpoint sonar imaging display

**Auto ON/OFF** – Tour ES turns itself ON when deployed to the run position and turns itself OFF when stowed. Operation has never been so simple. Swing the motor into the water (run position) and fish. When you have finished, hit the STOW button, which will position the motor to land on the bracket channel, and pull it back into the boat and onto the bracket.

**SE Motor Control** – Tour ES uses the latest in micro processor technology to monitor the motor performance at any speed and prevent damage. You can run it in the weeds at full power, or take advantage of maximum thrust for extended periods of time. The Smart Electronics prevent the motor from drawing excessive power, which conserves battery power and protects the motor from overheating. The result is superior thrust when needed and longer battery life for your fishing trip.

**Straight Line Steering** – The foot-pedal has a center detent position which is calibrated to drag the boat in a straight line. Whenever you want the boat to be pulled in a straight line, simply rock the pedal to the center detent position and press constant on.

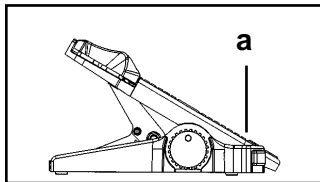
**Note:** this feature is dependent upon user calibration.

## HOW TO OPERATE MOTOR

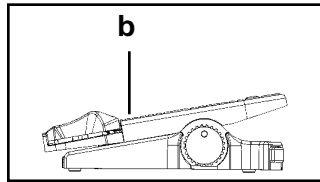
### Stow the Motor

Push and release the stow button once. The lower unit will rotate to its stow position and all pedal functions will cease. Set the motor on the bracket (horizontal) and it will turn off. Unplug motor for trailering and storage.

### Turn On the Motor



a. Left Turn



b. Right Turn

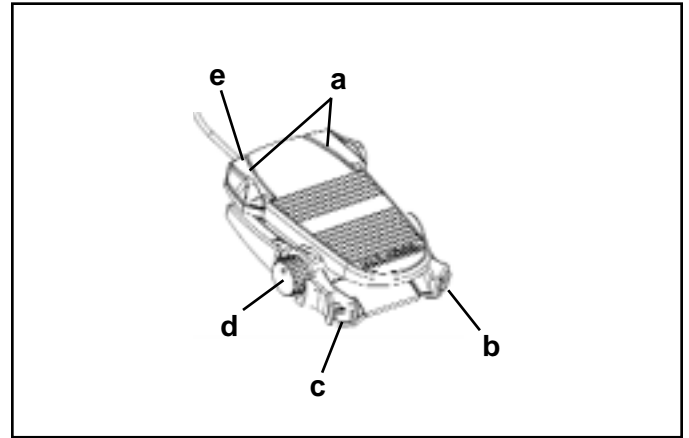
All you have to do is plug motor into power source, then use pull rope to lower motor into the RUN position.

### Steer the Motor

#### Steering Tip

Use the 400 degree steering range to help you maneuver in tight spots. With mechanical cable driven steering you had to rock the pedal to one extreme and then the other to try to back your boat up when your fishing among docks or heavy timber. But Tour ES's 400 degree power steering lets you rock the pedal to either extreme and actually point the motor past straight back. Now you can make the minor corrections needed to back up your boat.

## TO SELECT TROLLING MODE



- |                                 |                        |
|---------------------------------|------------------------|
| a. Selectable momentary buttons | c. Constant on button  |
| b. Stow/Run button              | d. Speed wheel         |
|                                 | e. Constant off button |

### Momentary

This mode allows the motor to run each time you step on a momentary button, when released the motor stops. When the button is pressed, the motor will turn at a speed controlled by the setting of the speed wheel. The left momentary button is always a Constant off button, regardless of whether or not it has been selected as a momentary button.

### Constant on

This mode allows the motor to run constantly at the speed selected. Press this button once and the motor will turn at a speed controlled by the speed wheel. Press and release again to stop motor or depress the Constant off momentary button.

### Adjust speed

The speed wheel allows variable speed selection ranging from speed 1, being the lowest speed, and 10 being the highest speed. Use your foot to roll the speed wheel to the desired speed.

### First time setup

We want your first experience with your new Tour ES motor to be a successful one. And since we like reading owner's manuals about as much as you do, we have developed this quick reference guide for you to keep in your boat.

Please take your time and walk through the following setups. You will learn how to calibrate your stow and straight ahead setting position to maximize the motor's full potential.

## Things to keep in mind before calibration

- Pick a location protected from wind and free of heavy weeds, timber, and other obstructions so you can learn the basic operation of your motor. Once you understand how the motor works, you will find it is very simple to use and to apply to your style of fishing.
- Always keep your outboard straight and in the water. Your outboard acts as a keel that, if turned to the side, will bias your boat's movement through the water. Leaving your outboard in the water is also important as it stabilizes the back of your boat while steering, especially at moderate to high speeds.
- Always securely tighten the bracket retention knob to hold the shaft and head. If the control head turns in the bracket clamp both your straight ahead and stow setting will follow it. If the control head should slip or change position in mount, just loosen the retention knob and re-align the control head back to its correct position for stow.
- The most common issue new users have is the failure to understand straight ahead calibration. Straight Ahead is nothing more than the steering reference for your motor. It is what compensates for differing installations and hull designs and maximizes your motor's performance. After the center calibration is complete, just tilt the rocker pedal into its locked detent position and the lower unit will automatically rotate to its calibrated center setting to pull your boat straight forward. If Straight Ahead is not calibrated correctly, your boat will tend to pull to the right or left of center.

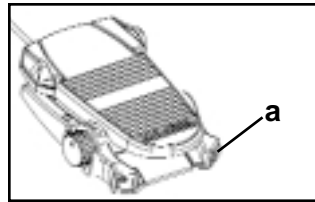
**NOTE:** Remember, the stow and center settings can be easily re-calibrated at any time as needed.

### WARNING

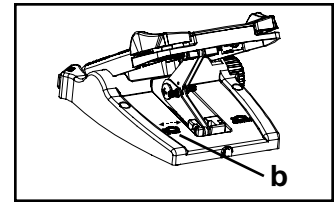
Always disconnect the motor battery leads from the power source when not in use. This will prevent accidental starting of the motor which could cause personal injury or damage to your boat.

## FIRST TIME SETUP

### Stow alignment procedure



a. Stow button



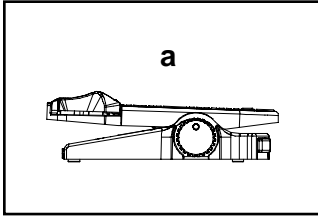
b. Stow calibration dial



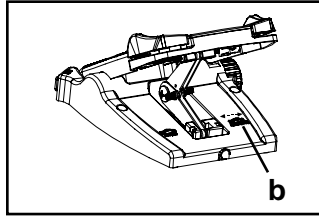
- 1 Plug motor's battery cable into power source.
- 2 Lower motor to Run position.
- 3 Push the Stow button once.
- 4 Rotate stow dial to set Stow position. Rotate until lower unit is approximately positioned to lay on mount with the prop facing to the outside of boat. The mount is designed for the prop to face the port side of boat.
- 5 Pull rope handle to lift your motor out of the water. With the lower unit close to landing on the bracket rails, use the dial to steer the lower unit to the left or right. When the motor is aligned to land squarely on the bracket rails, lock the mount in the stow position.

Your motor is now set for stow position. Next is to set up the straight ahead alignment.

## Center alignment procedure



a. Tilt pedal to click into detent



b. Center calibration dial

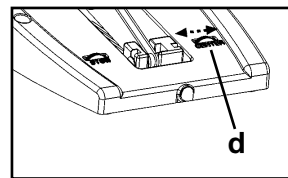
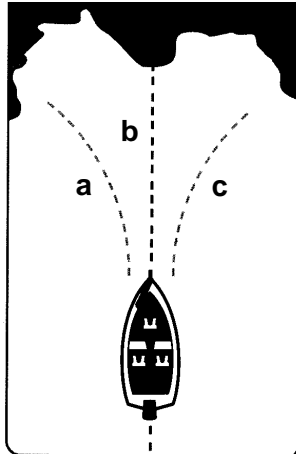
Calibrate your straight ahead setting out of heavy wind or current.

- 1 Plug battery cable into power source.
- 2 Make sure your outboard is turned straight and in the water.
- 3 Lower motor to Run position.
- 4 To enter setup mode, slowly tilt the rocker pedal until you feel it click into a detent . This detent position can be found by tilting pedal all the way toe down, then slowly pushing the heel of pedal down until you feel pedal click into a detent. See Figure. (Note: Strong resistance settings of the clutch nut, makes the detent difficult to feel.)
- 5 Use Center calibration dial to steer your lower unit to approximately straight ahead. Set speed wheel at 0.
- 6 Pick an object directly in front of your boat (a large tree, rock, dock, etc.). Push and release the constant button once. Ramp up your speed wheel, watching how your boat moves towards the object.
- 7 Use Center calibration dial to steer the motor straight ahead.

Adjust until your boat moves straight for at least 10 seconds.

- 8 Press and release the constant button once to stop the motor.

This calibration may be repeated at any time as needed.



- a. Needs adjustment to right
- b. Straight ahead
- c. Needs adjustment to left
- d. Center calibration dial

## Foot pedal calibration

Your motor was shipped with its foot pedal calibrated. You will want to calibrate your foot pedal if you notice you are not getting a full 400 degree steering rotation or if a new pedal is installed on your motor.

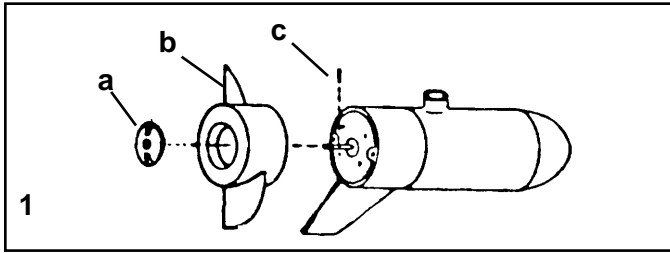
### To calibrate a new pedal to your motor:

- 1 Put the motor in the run position.
- 2 Depress the constant on and a momentary button simultaneously. Hold down for three seconds. You will notice the motor turn to the center position and start making a clicking noise in the head.
- 3 Push pedal into the forward position (toe down), depress the momentary button.
- 4 Move the pedal to the center detent position, depress the momentary button again.
- 5 Move the pedal in the back position (heel down) and depress the momentary button.

The calibration for the foot pedal is now complete and the clicking will stop. The motor should now steer in accordance with the pedal movement.

## MAINTENANCE

### HOW TO REPLACE THE PROPELLER



- a. Propeller nut  
b. Propeller blade  
c. Propeller pin

#### CAUTION

**Be sure motor is disconnected from battery.**

#### Replace the propeller

- 1 Hold the propeller blade and loosen the propeller nut using prop wrench or a set of needlenose pliers. Remove the propeller nut. Pull the propeller straight off. If prop is stuck, grasp one blade with one hand and tap on the back side of the opposite blade lightly with a rubber mallet. If necessary, repeat the procedure on all blades until the propeller comes off. If the propeller pin is bent, replace it. Align the new propeller with the propeller pin. Reinstall the propeller nut and tighten firmly. Tighten with needlenose pliers another 1/4 turn.

#### CAUTION

**Do not strike bent prop pin with hammer to remove pin. Damage to armature may occur that would not be covered by warranty.**

## CUSTOMER RESPONSIBILITIES

The warranty on this motor/mount does not cover items that have been subjected to operator abuse or negligence. To receive full value from the warranty, operator must maintain motor/mount as instructed in this manual.

1. Check behind the propeller after each day of fishing for weeds, fishing line or other debris that may get wrapped behind the propeller.
2. Occasionally, lubricate all the pivot points with a non aerosol lubricant. Never use an aerosol lubricant to grease or oil any part of your unit. Many spray lubricants contain harmful propellants that can cause damage to various parts of your fishing motor.
3. Check tightness of the battery lead connections.
4. Make periodic inspection for loose or corroded wiring connections.
5. Always thoroughly rinse your electric fishing motor with fresh water after use in salt water.
6. Periodically make a visual inspection for tightness of all nuts, bolts and screws.

#### Battery

Recharge batteries after each use. Follow the battery manufacturer's recommendations for battery maintenance.

#### Freezing Temperature Storage

During freezing temperature, when your electric motor is not being used, it should be stored in an area where it will not freeze.

#### For SW Model Only

Sacrificial Anode Kit  
Part Number: MGA035

Corrosion on the metal components of the trolling motor occur when two or more dissimilar metals are brought into electrical contact under water. By using a sacrificial anode, all the other metals on the trolling motor become the cathodes. The result is that the anode will corrode and the trolling motor will not.

**Maintenance:** if the anode becomes too corroded, it should be replaced.



# TROUBLESHOOTING

## 1 LOSS OF POWER

### Possible causes

- Propeller may be fouled. Remove propeller, clean and replace.
- Battery connections may be corroded.
- Battery has low voltage. Recharge and check for bad cell.
- Insufficient wire gauge from battery to trolling motor. (Six gauge wire recommended.)
- Bad or faulty connection in boat wiring or trolling motor wiring.
- Permanent magnet cracked or chipped. Motor will whine or grind.
- Water in lower unit that will show water or oily residue inside top housing.

## 2 MOTOR MAKES EXCESSIVE NOISE OR VIBRATION

### Possible causes

- Propeller may be fouled.
- Check to see if propeller is secure.
- Bent armature. Remove propeller, set at medium speed, turn unit on and watch armature for wobble.
- Turn propeller by hand. It should turn freely with a slight magnet drag.
- Bearing/bushings may be worn out.

## 3 MOTOR FAILS TO RUN AT ANY SPEED

### Possible causes

- Check fuse/circuit breaker on boat for trolling motor
- Check for loose or corroded connections
- Check plug for loose or bad connection
- Test micro, on/off, and bypass switches.
- Turn prop by hand. It should turn freely with a slight magnet drag.

## 4 MOTOR LOSES ONE OR MORE SPEEDS

### Possible causes

- Loose wire on rotary switch. Check wiring diagram.
- Loose connections in top housing.
- Rotary switch bad.
- Prop fouled.
- Speed coils in lower unit may be burned.

## 5 FOOT PEDAL IS HARD TO TURN (MECHANICAL STEER MODELS)

### Possible causes

- Check to see if column is bent and binding against outer tubing.
- Outer tube is bent and binding against column.
- Bottom bushing or bearing is out of alignment or broken.
- Check rack and rack guide for foreign matter. Remove rack, clean, grease, and replace.
- Steering cable is kinked. Replace steering cable.

## 6 MOTOR DOES NOT TURN THE FULL 400 DEGREE ROTATION (ES MODELS ONLY)

### Possible causes

- Foot-pedal needs to be recalibrated.

## 7 ARROW BACKLIGHT IS OFF (ES MODELS ONLY)

### Possible causes

- Arrow light turns off after 3 minutes of motor inactivity. Press momentary button to turn light back on

## 8 HARD TO UNLATCH MOUNT FROM THE RUN OR STOW POSITION WHEN USING PULL ROPE.

- Your bow mount is designed to easily release with a quick pull of the rope handle. If it does not, it is almost always due to the improper installation of your bracket. What usually happens is that your bracket does not rest evenly on the isolators before you tighten it down. Once tightened, the bracket binds up, causing the latch to not function properly. You can test this by loosening the screws slightly (start with the two forward screws) and latching the bracket. You will usually find the problem area by alternately trying each screw until the bracket releases easily. The final step is to install additional shim washers (provided) and then re-tighten the screws.

Apply a general purpose grease to the latch pins and grooves periodically.

## REPAIR PARTS AND SERVICE

### FOR REPAIR SERVICE

Contact your nearest Super Center for a listing of Super Centers. See the listing at the back of this manual or visit our website at [www.motorguide.com](http://www.motorguide.com).

### FOR REPLACEMENT PARTS AND ORDERING

MotorGuide has established MotorGuide Super Centers as Parts Distributors throughout the United States and Canada. Contact the nearest Super Center for parts ordering. When ordering replacement parts have the following information ready:

- **Model Number**
- **Serial Number**
- **Part Number**

**INSIDE THE UNITED STATES AND CANADA**  
**MOTORGUIDE SUPER CENTER**

**ALABAMA TROLLING MOTORS**  
4340 B Hwy 79 (Vanderbilt Rd)  
BIRMINGHAM, AL 35217  
205-841-3220

**FOX'S TROLLING MTR SALES & SERV**  
4401 Government Blvd.  
MOBILE, AL 36693  
334-661-7033 toll free 800-542-5571

**TROLLING MOTOR WORLD**  
Arkansas division  
Little Rock, AR  
www.trollingmotorworld.com  
Toll free 1-888-684-8698

**THE TROLLING MOTOR DOCTOR**  
3730 Industry Ave #208  
Lakewood, CA 90712  
562-988-9444 800-944-9446

**SUNNY'S ELECTRIC MARINE**  
1500 El Camino Ave #C  
Sacramento, CA 95815  
916-487-3868

**CENTRAL FLORIDA TROLLING MTR**  
3780 Hwy 92 East  
LAKELAND, FL 33801  
863-666-2248 toll free 800-330-9076

**MASTER REPAIR, INC.**  
4700 WEST PROPECT ROAD # 117  
FT. LAUDERDALE, FL 33309  
954-535-0900 toll free 800-297-2846

**SMITH MARINE ENTERPRISES**  
2420-1 Concorde Ave.  
Ft Myers, FL 33901  
941-939-5776 toll free 800-929-3701

**MARINE SPECIALTY**  
6444 Camp Road  
RIVERDALE/ATLANTA, GA 30296  
770-996-9014

**TACKLE SERVICE CENTER**  
246 East Washington  
MOORESVILLE/INDPLS, IN 46158  
317-831-2400

**B & J MOTOR REPAIR SERVICE**  
5910 Poplar Level Rd.  
LOUISVILLE, KY 40228  
502-969-8511

**THE TROLLING MOTOR SHOP, INC**  
2221 Airway Dr.  
BATON ROUGE, LA 70815  
225-928-9644

**Trolling Motors Unlimited**  
301 E. Magistrate, Suite A  
Chalmette, LA 70043  
504-277-9595 504-277-0794

**SPORTSMAN'S SERVICE CENTER**  
8180 W. Main St.  
KALAMAZOO, MI 49009  
616-353-7277

**MOTOR CLINIC**  
200 W 88th St.  
BLOOMINGTON, MN 55420  
612-881-0898

**MARINE REPAIR CENTER, INC.**  
3310 N. Glenstone  
SPRINGFIELD, MO 65803  
417-833-9191

**TRI-STATE TROLL MOTOR INC.**  
428 Chez Patee  
ST. LOUIS, MO 63042  
314-921-7292

**MISSISSIPPI TROLLING MOTORS**  
400C Industrial Park Road  
Starkville, MS 39759  
662-323-9403

**FISHERMAN'S FRIEND**  
1401 S. Ridge Ave.  
Kannapolis, NC 28083  
704-934-2122

**H. L. MOSS, INC.**  
1714 E. 15th St  
TULSA, OK 74104  
918-744-1305 918-744-1515

**OMNI-MARINE ELECTRONICS**  
405 N. Maple, Suite A-8  
CHARLESTON, SC 29483  
843-873-7157 800-957-6627

**PORT-TRONICS**  
1904 Piedmont Hwy  
GREENVILLE, SC 29605  
864-299-1432

**ALL STAR SPECIALISTS**  
3535 N. Buckner Blvd #106  
DALLAS, TX 75228  
214-320-1673 800-362-3790

**MOTORGUIDE**  
835 W. 41st St  
Tulsa, OK 74107  
920-929-5040

**C WEBB TROLLING MOTOR SALES & SERVICE**  
9705 S. Padre Island Dr.  
Corpus Christi, TX 78415  
361-939-8970

**BORIS MARINE ELECTRONICS**  
5301 Azle Ave.  
FT WORTH, TX 76114  
817-624-3932 800-438-7655

**GULF COAST TROLLING MOTOR**  
10553 TELEPHONE RD.  
HOUSTON, TX 77075  
713-991-1195 713-991-5812

**BRUMLEY'S TROLLING MOTOR REPAIR**  
4502 Petro Drive  
San Angelo, TX 76903  
(915) 655-5905

**WELLS, INC**  
3502 JEFFERSON DAVIS HWY  
RICHMOND, VA 23234  
804-233-6726

**ANCHORS AWEIGH, INC**  
2035 S. West Ave.  
Waukesha, WI 53186  
262-547-7170

**CJV REPAIR**  
Box 85  
Hardisty, ALB CAN T0B 1B0  
780-888-2340

**JAY-CEE'S ROD AND REEL REPAIR**  
547 Vaughan Ave.  
Selkirk, MAN CAN R1A 0T2  
204-482-7477

**LES MAINS AGILES**  
206 Labelle Blvd.  
Laval, QUE CAN H7L 3A1  
450-625-6963

**MIKES ELECTRIC MOTOR & REEL REPAIR**  
33971 Gilmour Dr.  
ABBOTTSFORD, BC CAN V2S5T6  
604-855-1119

**ROCKEYS**  
3 ROYCE AVE  
ORILLA, ONT CAN L3V5H8  
705-325-3526

**MERCURY MARINE LTD.**  
2395 Meadowpine Blvd.  
Mississauga, Ontario L5N 7W6  
905-567-6372

**OUTSIDE THE UNITED STATES AND CANADA  
MOTORGUIDE SUPER CENTER**

**AUSTRALIA, PACIFIC**

MERCURY MARINE AUSTRALIA  
132 - 140 Franston Road  
Dandenong, Victoria 3164, Australia  
(61) (3) 9791-5822

**EUROPE, MIDDLE EAST, AFRICA**

MARINE POWER - EUROPE, INC.  
Parc Industrial de Petit - Rechain  
B - 4800 Verviers, Belgium  
(32) (87) 32 - 32 - 11

**MEXICO, CENTRAL AMERICA,  
SOUTH AMERICA, CARIBBEAN**

MERCURY MARINE  
11650 Interchange Circle North  
Miramar, FL 33025 USA  
954-744-3500

**ASIA, SINGAPORE**

MERCURY MARINE SINGAPORE  
72 Loyang Way  
Singapore 508762  
(65) 546 6160

**JAPAN**

Taniyama Shoji Co  
5-28 Tsutogawa-cho 8160002  
Nishinomia, Hyago  
Japan 663-8233  
(81) (79) 836-2233

# MOTORGUIDE LIMITED WARRANTY (EUROPE)

## DURATION OF COVERAGE

This Limited Warranty provides coverage for two (2) years from the date the product is first sold to a recreational use retail purchaser, or the date on which the product is first put into service, whichever occurs first. Commercial users of these products receive warranty coverage of one (1) year from the date of first retail sale, or the accumulation of 500 hours of operation, whichever occurs first. Commercial use is defined as any work or employment related use of the product, or any use of the product, which generates income, for any part of the warranty period, even if the product is only occasionally used for such purposes. The repair or replacement of parts, or the performance of service under this warranty, does not extend the life of this warranty beyond its original expiration date. Un-expired warranty coverage can be transferred to one recreational use to a subsequent recreational use customer upon proper re-registration of the product.

## CONDITIONS THAT MUST BE MET IN ORDER TO OBTAIN WARRANTY COVERAGE

Warranty coverage is available only to retail customers that purchase from an authorized dealer to distribute the product in the country in which the sale occurred, and then only after the specified pre-delivery inspection process is completed and documented. Warranty coverage becomes available upon proper registration of the product by the authorized dealer. Inaccurate warranty registration information regarding recreational use or subsequent change of use from recreational to commercial (unless properly re-registered) may void the warranty. Routine maintenance outlined in the Operation and Maintenance Manual must be timely performed in order to maintain warranty coverage. If maintenance is performed by the retail customer, MotorGuide reserves the right to make future warranty coverage contingent on proof of proper maintenance.

## HOW TO OBTAIN WARRANTY COVERAGE

The customer must provide MotorGuide with a reasonable opportunity to repair, and reasonable access to the product for warranty service. Warranty claims shall be made by delivering the product for inspection to an authorized dealer to service the product.

We will then arrange for the inspection and any covered repair. Purchaser in that case shall pay for all related transportation charges and/or travel time. If the service provided is not covered by this warranty, purchaser shall pay for all related labor and material, and any other expenses associated with that service. Purchaser shall not, unless requested by MotorGuide, ship the product or parts of the product directly to the importer of the product. The warranty registration card is the only valid registration identification and must be presented to the dealer at the time warranty service is requested in order to obtain coverage.

## WHAT IS NOT COVERED

This limited warranty does not cover routine maintenance items, tune-ups, adjustments, normal wear and tear, damage caused by abuse, abnormal use, operation of the product in a manner inconsistent with the recommended operation/duty cycle section of the Operation and Maintenance Manual, neglect, accident, submersion, improper installation (proper installation specifications and techniques are set forth in the installation instructions for the product), improper service, use of an accessory or part not manufactured or sold by us, or alteration or removal of parts. Expenses related to haul-out, launch, towing, storage, telephone, rental, inconvenience, slip fees, insurance coverage, loan payments, loss of time, loss of income, or any other type of incidental or consequential damages are not covered by this warranty. Also, expenses associated with the removal and/or replacement of boat partitions or material caused by boat design for access to the product are not covered by this warranty.

No individual or entity, including MotorGuide authorized dealers, has been given authority by MotorGuide to make any affirmation, representation or warranty regarding the product, other than those contained in this limited warranty, and if

made, shall not be enforceable against MotorGuide or the importer of MotorGuide product.

## DISCLAIMERS AND LIMITATIONS

THE IMPLIED WARRANTIES OF MERCHANTABILITY AND FITNESS FOR A PARTICULAR PURPOSE ARE EXPRESSLY DISCLAIMED. TO THE EXTENT THAT THEY CANNOT BE DISCLAIMED, THE IMPLIED WARRANTIES ARE LIMITED IN DURATION TO THE LIFE OF THE EXPRESS WARRANTY. INCIDENTAL AND CONSEQUENTIAL DAMAGES ARE EXCLUDED FROM COVERAGE UNDER THIS WARRANTY. SOME STATES/COUNTRIES DO NOT ALLOW FOR THE DISCLAIMERS, LIMITATIONS AND EXCLUSIONS IDENTIFIED ABOVE, AS A RESULT, THEY MAY NOT APPLY TO YOU. THIS WARRANTY GIVES YOU SPECIFIC LEGAL RIGHTS, AND YOU MAY ALSO HAVE OTHER LEGAL RIGHTS WHICH VARY FROM STATE TO STATE AND COUNTRY TO COUNTRY.

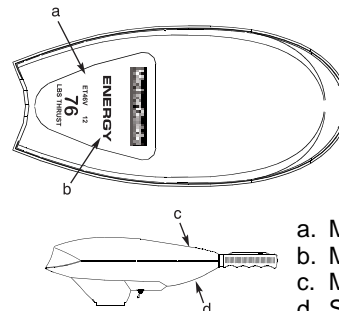
## IMPORTANT!!

### REGISTER YOUR **MotorGuide** PRODUCT

This warranty registration card should be completed and mailed to MotorGuide to validate your warranty.

WARRANTY CARD REGISTRATION IS INCLUDED WITH YOUR OWNER'S PACKET & IS SEPARATE FROM THIS MANUAL. PLEASE FILL OUT IMMEDIATELY AND MAIL TO VALIDATE YOUR WARRANTY.

.....



- a. Model Number
- b. Model Name
- c. Model Name & Number Location
- d. Serial Number Location

# **MotorGuide**<sup>®</sup> **MARINE**

MotorGuide  
835 W. 41st Street  
Tulsa, OK 74107  
(920) 929-5040