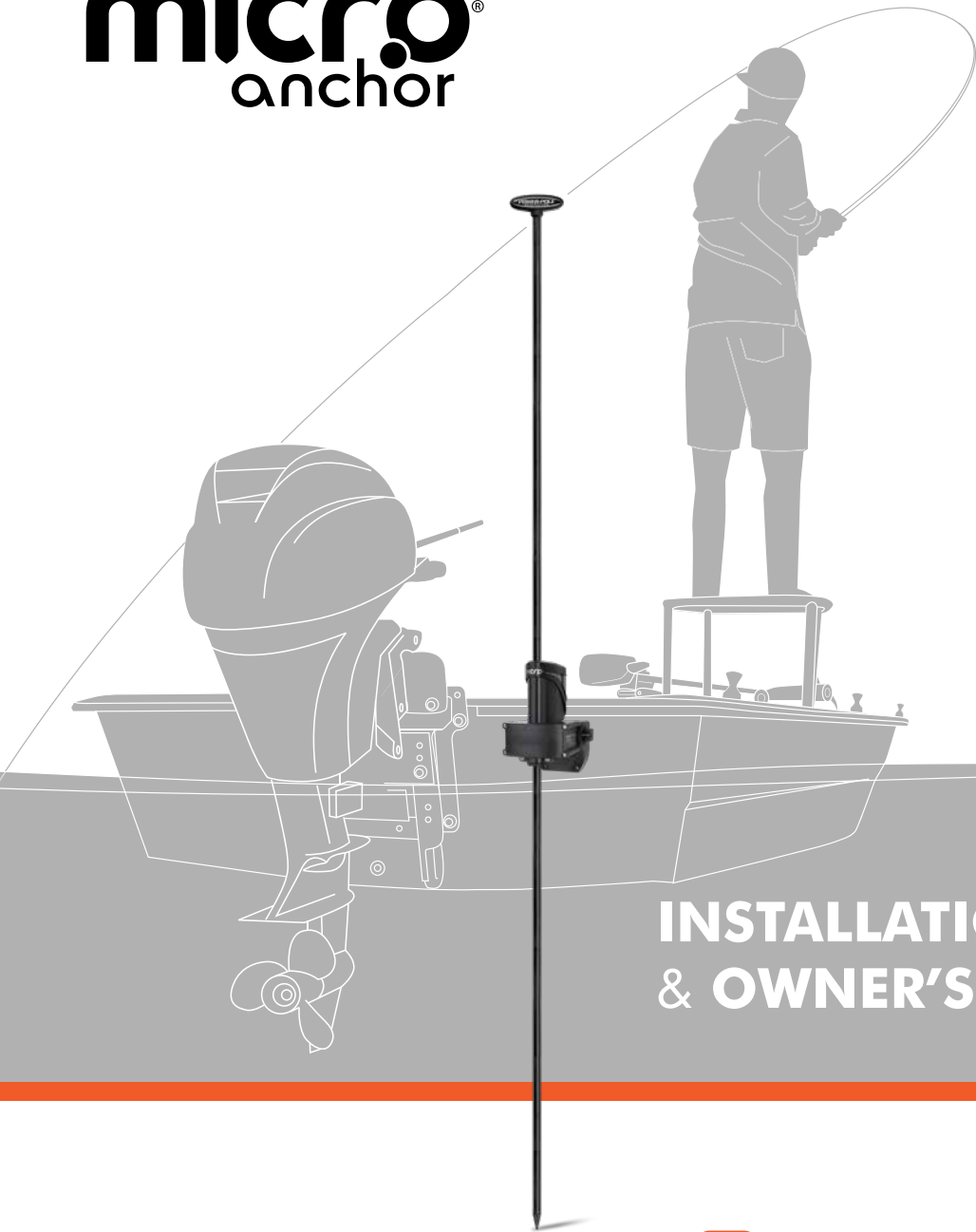




micro[®] anchor



INSTALLATION & OWNER'S GUIDE

Powered by  **C-MONSTER[®]**
CONTROL SYSTEM





Welcome to the world of Power-Pole[®],
the original shallow water anchor.

Congratulations on your purchase of a Power-Pole MICRO® shallow water anchor. This all-electric wonder is the first of its kind. The MICRO is a super-compact powerhouse that was built to give you the ultimate shallow water fishing experience. With Power-Pole's signature strong hold, the MICRO gives you a smooth stop on the spot in less than 7 seconds flat. Whether you're anchored in sand, rock or muck, it's swift, it's silent, it's secure. And, yes, it's small.



As if that wasn't enough, you'll also have all the benefits and features of the MICRO's C-Monster Control System. The included wireless remote puts you in charge, with all the speed and directional controls in the palm of your hand. You can even call your moves from your smart phone with our free app.

This guide will help you get the most from your Power-Pole MICRO anchor. Inside you'll find information on safe use and proper maintenance of your shallow water anchor. It also contains your warranty information. If you have questions about your new MICRO anchor we're always here to help – call our Technical Support Team at **1+ (813) 689-9932 option 2** or visit our website at **www.power-pole.com** for FAQs, videos and technical support.



INSTALLATION

Congratulations on your purchase of the all-electric Power-Pole® MICRO® shallow water anchor. It's the first of its kind – a super-compact powerhouse that was built to give you the ultimate shallow water fishing experience.

Please read all installation instructions carefully. The information contained here describes the proper procedures for safely installing your Power-Pole shallow water anchor.

Included Hardware:

- A.** Qty. (4) 5/16" x 3 1/2" all thread transom mount bolts
- B.** Qty. (4) 5/16" fender washers
- C.** Qty. (4) 5/16" tall brass nuts
- D.** Qty. (1) butt connector
- E.** Qty. (1) ring terminal
- F.** Qty. (3) #8 x 3/4" black flat head screws
- G.** Qty. (1) 5/16" white thru-hull bushing (optional)
- H.** Qty. (1) power cord plug
- I.** Qty. (1) fuse holder with 15 amp fuse
- J.** Qty. (1) quick release clamp with bolt
- K.** Qty. (1) adjustment nut
- L.** Qty. (2) adjustable hex lock
- M.** Qty. (1) standard key-fob
- N.** Qty. (1) lanyard for key-fob
- O.** Qty. (1) wireless dash switch
- P.** Qty. (1) adhesive strip
- Q.** Qty. (1) 1/4" Allen key
- R.** Qty. (1) quick release pull cord for kayaks
- S.** Qty. (1) cord holder

Installation Tools:

- 1/2" Wrench or 1/2" Socket with ratchet
- Electric or battery operated drill
- 5/16" & 7/64" drill bit
- Heat gun
- Marine grade sealant
- Fine point marker
- Wire cutters
- Wire strippers
- Wire terminal crimpers
- 1/4" Allen wrench (included)
- Phillips screwdriver



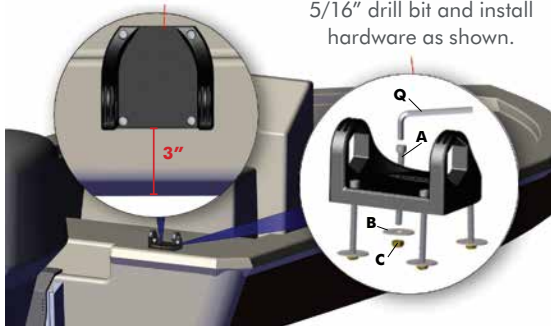
MOUNTING Options

IMPORTANT: In all options it is recommended that the bottom of the MICRO Driver Unit be mounted above the water line of the boat.

Deck Mount

Place bracket within 3" of edge of mounting surface

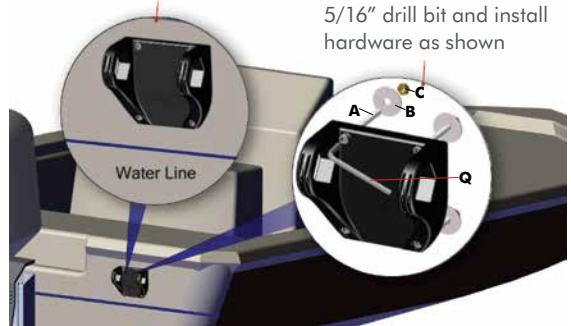
Mark and drill holes with 5/16" drill bit and install hardware as shown.



Transom Mount

Place bottom edge of bracket even or higher than the boat's water line

Mark and drill holes with 5/16" drill bit and install hardware as shown

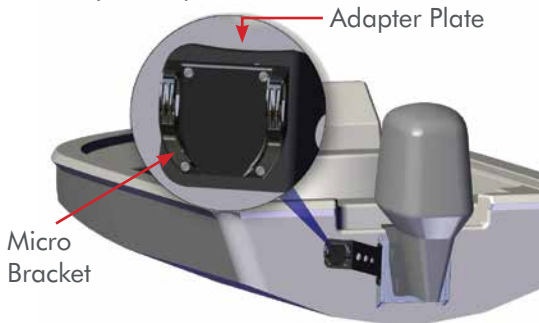


Additional Mounting Options

Available with purchase of accessories.

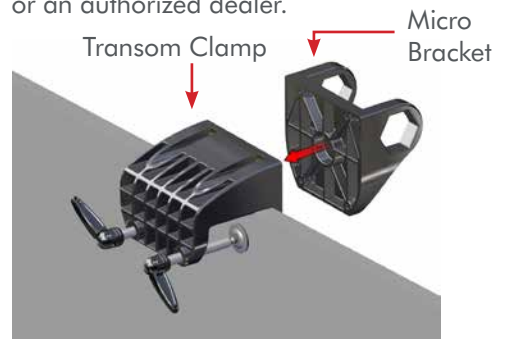
ADAPTER PLATE

To determine correct adapter plate go to www.power-pole.com. Additional hardware may be required.



TRANSOM CLAMP

To order go to www.power-pole.com or an authorized dealer.



MOUNTING Options (continued)

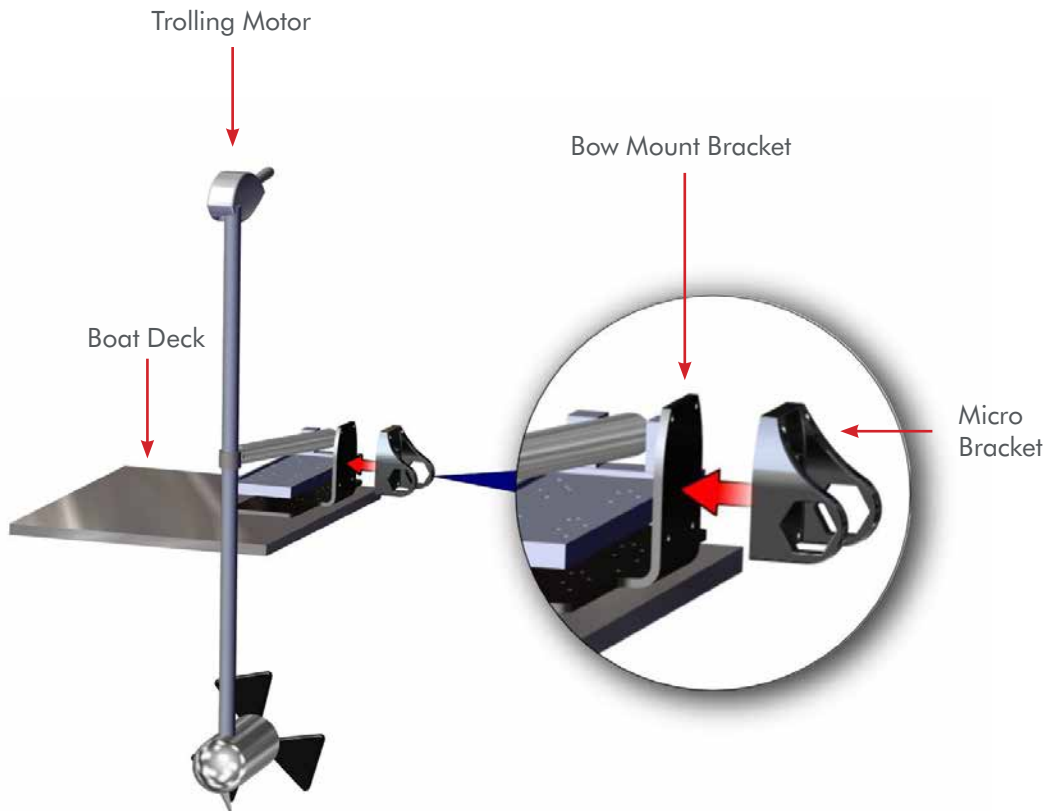
KAYAK MOUNT

NOTE: If unable to mount using the adjustable bracket provided or the available Transom Clamp, contact JL Marine Systems, Inc. or your kayak dealer for mounting options.

MICRO ANCHOR BOW MOUNT BRACKET

To order go to www.power-pole.com or an authorized dealer.

NOTE: For mounting Micro anchor in combination with a bow mounted trolling motor. Mounts between the trolling motor base and boat deck.



ATTACHING DRIVER Unit

Attaching / Removing Driver Unit

Attach the MICRO Driver Unit into its mount as shown.

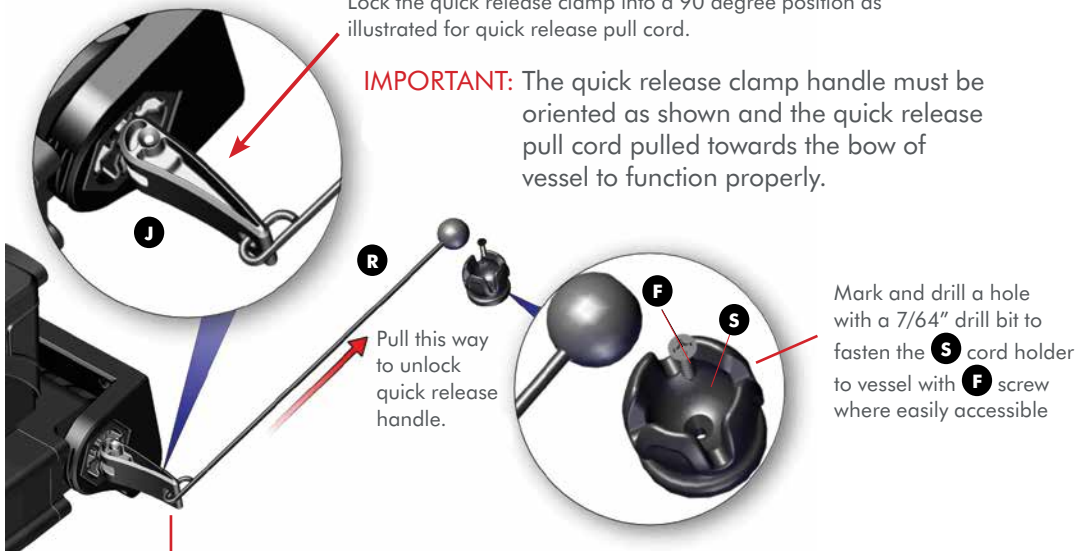


Next, push the release clamp bolt through and thread the adjustable nut **K** on tight by turning clockwise and lock quick release clamp into position.

Installing Quick Release Cord (for kayaks)

Lock the quick release clamp into a 90 degree position as illustrated for quick release pull cord.

IMPORTANT: The quick release clamp handle must be oriented as shown and the quick release pull cord pulled towards the bow of vessel to function properly.



Fasten the end of **R** quick release pull cord to quick release clamp handle by tying them together using a knot.

ATTACHING POWER Source

Connecting the MICRO Driver Unit to Power Source Using a 12 volt DC battery

1. Plug the male plug connector **H** into the MICRO Driver Unit and route wires through the boat to power source.

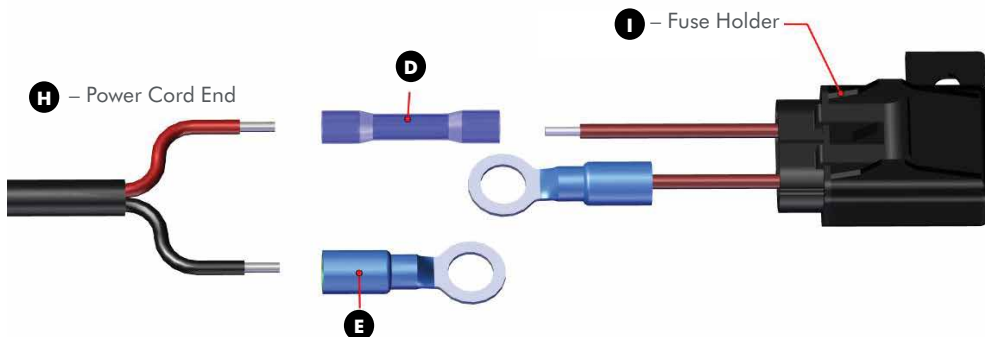
IMPORTANT: Power cord must be disconnected when the anchor is not in use or while charging 12 volt DC battery.

MICRO Driver Unit



NOTE: Dust cover must be in place while power cord is disconnected.

2. Use the (1) heat shrink butt connector **D** to connect the red wire to the red fuse holder wire and crimp.



3. Use the (1) heat shrink ring terminal connector **E** to connect to the black wire and crimp.
4. Connect the red fuse holder ring terminal to the main battery cut-off switch and the black ring terminal to the negative post on the cranking battery. The LED light on the top of the MICRO Driver Unit will begin flashing green.

NOTE: If 12 volt battery is not available, the Micro Driver Unit can also be powered by the Micro Battery Pak, sold separately.

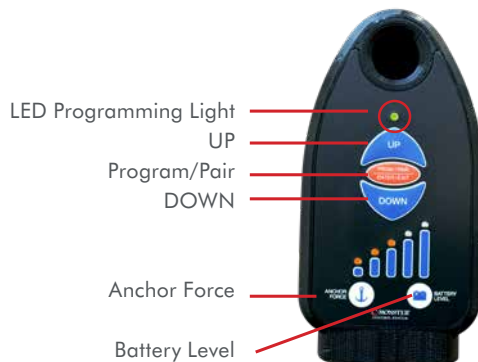
PROGRAMMING The MICRO

MICRO Driver Unit

The MICRO Driver comes programed as a single unit. For proper performance do not program a single unit as port or starboard. If you have a single unit proceed to the Owners Guide for calibration instructions prior to using the unit.

Programming Dual MICRO Driver Units

1. With both MICRO Driver Unit locations identified, begin with the starboard side unit. Press and hold the "Program" button for 6 seconds until the LED turns red.
2. Press the UP button to set as the starboard side unit. The LED will flash red one time indicating that the programming has been completed successfully. Press and release the program button to save and exit. The LED will flash red one time.
3. On the port side, repeat Step 1 to enter programming mode. Press the DOWN button to set as the port side unit. The LED will flash red twice indicating that the programming has been completed successfully. Press and release the program button to save and exit. The LED will flash red twice.



Programming Dual MICRO Driver Units to a Single Wireless Controller

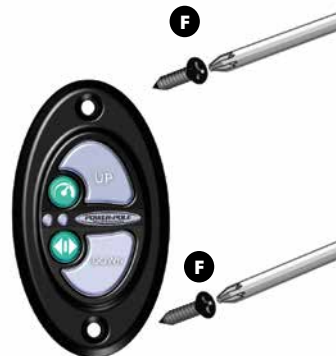
When installing dual units, you can program a single Dash Switch and/or Key-Fob remote to control both driver units by following the steps below.

1. Determine which unit is paired with the controller by pressing the UP or DOWN button.
2. Press and hold the Program/Pair button on the other unit for three seconds until the LED turns green.
3. Press and hold the UP or DOWN button on the controller until both units respond.

Installing the Dash Switch

NOTE: You should make sure your Dash Switch is paired with your single or multiple driver units before installation.

Mark and drill a hole with 7/64" drill bit to fasten switch using the (2) screws **F** supplied (*do not over tighten*). Or you may choose to use adhesive strip **P** also supplied.



OPERATION



Here you will find information on all of the functions, safe use, and proper maintenance of your **MICRO**® shallow water anchor. If you have questions, contact our Technical Team @ **1+(813) 689-9932 option 2** or visit our website at **www.power-pole.com**.



OPERATING

the Power-Pole MICRO[®] Anchor



Top Side Controls (FIG. 1)

- The UP and DOWN buttons on top of the MICRO Driver Unit can be used to retract and deploy your Power-Pole MICRO anchor.
- While pressing the ANCHOR FORCE button, also press the UP or DOWN to increase or decrease the anchor force

NOTE: Anchoring force does not relate to stopping power.

- Check battery level by pressing the BATTERY LEVEL button. Orange LED lights appear above indicator bars to show levels of battery charge. Each bar represents 20% of charge.

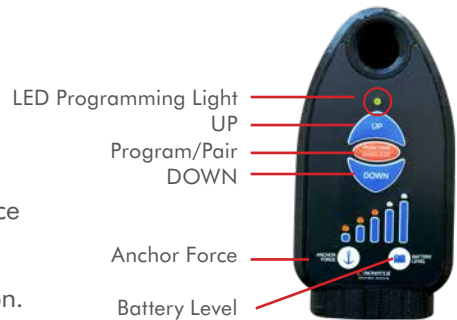


Figure 1

Calibrating Your MICRO Driver Unit

For proper operation your MICRO Driver Unit must be calibrated to your spike. The Driver Unit will read the length and surface smoothness of your spike and calibrate the distance and pressure required for proper anchoring force.

IMPORTANT: The Micro Driver Unit must have 21" inches between it and the ground for accurate calibration

Calibration Instructions (FIG. 2)

1. Insert the spike into the MICRO Driver Unit.
2. Press the ANCHOR FORCE and BATTERY LEVEL buttons on the top of the unit at the same time. The driver unit will automatically start the calibration process.
3. The unit will cycle the spike up and down for 30 to 60 seconds.

NOTE: Do not touch the driver unit or spike during the calibration process.

4. Once the calibration is complete the programming LED will return to flashing green. Your MICRO Driver Unit is now ready for use.



Figure 2



Dash Switch (FIG. 3)

STANDARD MODE

To raise or lower your Power-Pole MICRO anchor, press and hold either the UP or DOWN button on the Dash Switch. The anchor will only continue to move as long as you press the button.

AUTO MODE (Dash Switch & Standard Key Fob remote control)

Double tapping (pressing and releasing 2 times within 1 second) either the UP or the DOWN button on the key fob or dash switch will cause the anchor to retract or deploy automatically. The anchor will continue to move in said direction until it either retracts completely (Auto Up) or senses a solid bottom surface (Auto Down).

SPEED CONTROL

The Dash Switch has 3 speed settings (slow, medium, or fast). Pressing and releasing the “Speed Control” button will toggle through the 3 settings. The LED lights on the switch will flash corresponding to either a slow, medium, or fast setting.

MULTIPLE ANCHORS

With multiple Power-Pole anchors equipped with the C-Monster Control System, the Dash Switch can be used to toggle between independent or simultaneous control of the anchors. Depressing and releasing the “Directional Control” button will toggle through the multiple anchors. The LED will flash between left, right, or on both to indicate the current control settings.

SLEEP MODE

Press both UP and DOWN buttons for 3 seconds, LED lights will flash indicating the switch is now in Sleep Mode. To reactive, press both buttons again for 3 seconds until LED lights flash.

Standard Key Fob Remote Control (FIG. 4)

STANDARD MODE

To raise or lower the Power-Pole MICRO anchor, press and hold either the UP or DOWN button on the key fob. The anchor will only continue to move so long as you press the button.

AUTO MODE (Standard Key Fob & Dash Switch remote control)

Works the same as the Dash Switch Auto Mode description above.

WAVE MODE

In addition to Anchoring Force control, your MICRO Driver Unit can be put into Wave Mode. While the spike is in the fully deployed position, press any DOWN button control to enter Wave Mode. In Wave Mode the MICRO Driver Unit will continue to absorb waves and re-drive the spike up to 20 times. If further wave absorption is required, press the DOWN button again to reactivate Wave Mode.

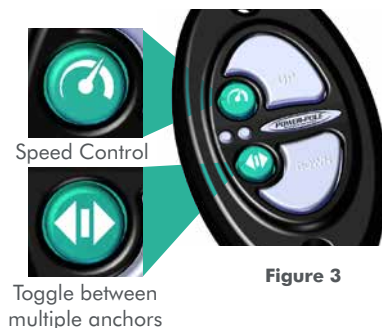


Figure 3



Figure 4

C-MONSTER

Smart Phone App



The C-Monster App is available for free in Google Play. The C-Monster app will allow you to do the following:

- **Configure settings for custom operation.** Take full control of everything from deployment speed to independent or synchronized control of multiple anchors. Not to mention Auto Up/Auto Down and bottom sensing.
- **Troubleshoot with AMP streaming instant diagnosis.** The information is sent directly to the Power-Pole Technical Support Team so we can instantly see what's happening and you can count on little or no down time.
- **Check signal strength of all your remotes with RSSI evaluation.** This allows you to instantly see if your signal is weak or if any other devices are disrupting your signal.
- **Update software.** You will receive automatic prompts to update your C-Monster software, if a newer version is available.
- **Quick product registration.** Now you can easily register your Power-Pole anchors and accessories directly through the app.
- **Theft recovery.** Once you register your Power-Pole anchor with the C-Monster App, if it's ever stolen we can help law enforcement track and recover it.

Powered by **C-MONSTER**[®]
CONTROL SYSTEM

DOWNLOAD
THE C-MONSTER APP @



MAINTENANCE and storage



- Every 3 months inspect all electrical connections to ensure that they are secure and add dielectric grease every 6 months to prevent corrosion.
- Prior to each use, inspect all hardware for proper tightness.
- The MICRO Driver Unit needs to be flushed out with water after each use. **(FIG. 5)**
- Power cord must be disconnected when the anchor is not in use or while charging 12 Volt DC battery.

NOTE: Dust cover must be in place while power cord is disconnected.

- The MICRO Driver Unit has a quick release clamp for easy removal. (See attaching and removing section in the Installation Manual.)

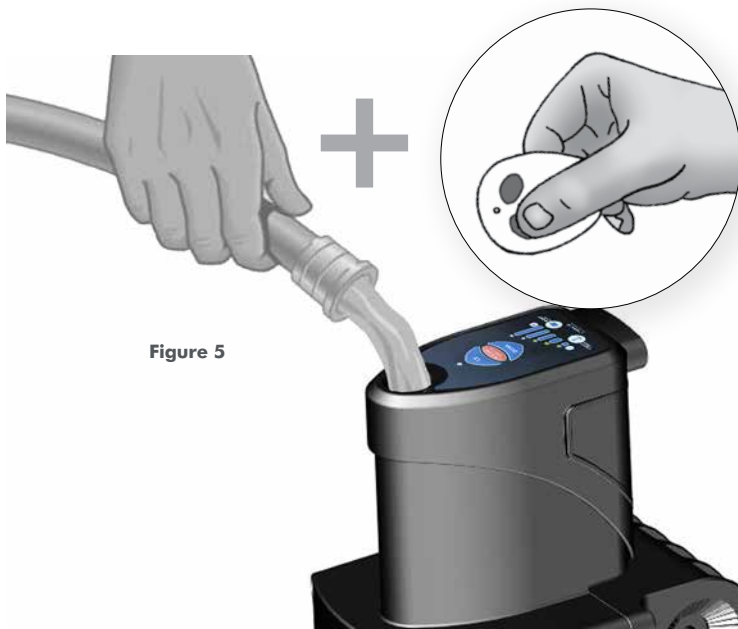


Figure 5

With the spike removed, double tap the Key Fob or Dash Switch DOWN button to run the unit a full 30 seconds while simultaneously flushing with low flow water. Repeat as needed to clean all debris from spike pocket mechanical parts.

FAQ

Frequently Asked Questions



Q: What is the biggest boat recommended for the MICRO shallow water anchor?

A: The MICRO works best on boats 1,500 pounds or less this includes people and gear.

Q: Why is the Power-Pole spike the best?

A: Power-Pole 3/4" spikes feature a comfort grip handle and have a 1/4-20 threaded insert on the top for adding flags, lights or cameras. Power-Pole spikes are available in two strengths: 1) Our Ultra-lite Spike is strong, yet lightweight. It is made of a composite material and features HollowCore technology for a secure hold of vessels up to 1500 lbs. 2) Our Heavy-duty Spike is super tough and super strong. It has a solid core that will securely hold larger vessels. All Power-Pole spikes are tested for strength and durability.

Q: If vessel is above the weight limit recommendation will this void the manufacture warranty?

A: No, but this will affect the holding power.

Q: How many wireless controllers can I program to my MICRO anchor?

A: Up to ten (10) wireless controllers can be programmed to operate your single or dual MICRO anchor.

Q: How do I program a new wireless controller to my existing MICRO anchor?

A: 1. Press and hold the "PRGM/PAIR" button on top of the MICRO Driver Unit, press and hold for 3 seconds, until the LED turns solid green.
2. Press and hold either the UP or DOWN button on the wireless controller you are pairing until the unit responds.

Q: How do I adjust the speed on my included wireless key-fob?

A: The included wireless Key-Fob comes out of the box set to the 100% speed setting. This can be adjusted by using the C-Monster App.

Q: Can I use a Non Power-Pole Spike with my MICRO anchor?

A: Yes, your Power-Pole Micro will accommodate any 3/4" spike.

Q: What type of 12 volt battery can be used with the MICRO Driver Unit?

A: Any 12 Volt DC battery can be used with the MICRO anchor.

Q: Is the Micro compatible with C-Monster 2.0

A: No, the Micro is only compatible with C-Monster 1.0 controllers (as shown in this guide).

TROUBLE

Shooting Guide



SYMPTOM	RECOMMENDATION
Slipping / noise when anchored	Reduce anchor force and retry.
Spike does not retract	Reduce the anchor force setting by one level from the MICRO Driver Unit. NOTE: If stuck down the force setting may be too high.
Excessive slop / wobble when stowed or deployed	Call our Technical Support Team at 1 + (813) 689-9932 option 2
Driver is making a grinding noise while running	Flush spike pocket with water to remove any dirt that could be causing the grinding noise (FIG. 5)

Need help? Contact our Technical Support Team at **813.689.9932 option 2**

INSTALLATION of New Dash Switch Battery

1. Ensure the surrounding area is as dry as possible to avoid moisture intrusion.
2. Remove the (2) #8 x 3/4" flat head screws from the top of Dash Switch.
3. Use a small slotted screwdriver to remove the Dash Switch cover plate. (**FIG. 6**)
4. Remove the rubber switch membrane and the board from the Dash Switch base.
5. Remove the battery from the holder on the back of the board and replace with any CR2032 3V Lithium Coin Battery.
6. Place the board and rubber switch membrane back into the Dash Switch base and ensure that the rubber switch membrane is seated properly prior to installing the cover plate (**FIG. 7**)



Figure 6

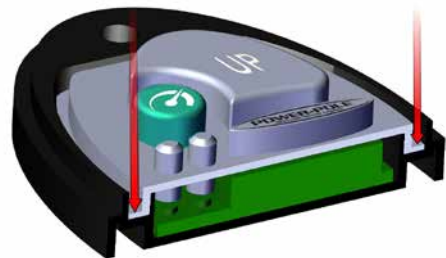


Figure 7

PRECAUTIONS



NOTE: DO NOT use the Power-Pole MICRO as your primary anchorage. Never leave your boat unattended while anchored solely with the Power-Pole shallow water MICRO anchor.

- Prior to use, read this instruction manual carefully. Become familiar with the controls and how to operate your Power-Pole shallow water MICRO anchor properly.
- Do not allow children to operate or tamper with the Power-Pole MICRO anchor without adult supervision.
- Do not modify the unit in any way.
- Use only genuine Power-Pole MICRO anchor accessories.
- Always disconnect the 12 Volt power source from the anchor before servicing.
- Do not use your Power-Pole MICRO anchor as a form of assistance when entering or exiting the vessel.
- During situations with high wind or rough seas, your Power-Pole MICRO anchor may release holding pressure in order to protect your vessel's transom.
- If any debris gets caught around your anchor's spike, disconnect the 12 Volt power source prior to removal.

MICRO Optional Accessories



Transom Clamp Bracket



Additional Power Cord



Adjustable Mounting Bracket



Micro Battery Pak
with Charger



WARRANTY



Two (2) Year Limited Warranty Power-Pole® MICRO shallow water anchor

Conditions of this Warranty

A Power-Pole MICRO™ shallow water anchor manufactured by JL Marine systems Inc. is warranted against defects in material and workmanship in the MICRO Driver Unit, adjustable mounting bracket stern bracket, and electrical system, to the original end consumer from the original purchase date, according to the following stipulations:

1. Power-Pole MICRO shallow water anchor warranties are activated upon receipt by JL Marine Systems, Inc. of the completed warranty card, postdated within (10) days of the original purchase date or by registering your Power-Pole on our website. Please retain your sales receipt as proof of purchase.
2. Install Genuine Power-Pole Merchandise ONLY. This warranty is void if any non-authorized parts are used or installed.
3. This warranty is void if the Power-Pole MICRO shallow water anchor is used commercially, structurally altered or subject to stress beyond the physical limits of the manufactured material.
4. This warranty does not cover abrasion or abnormal abuse, nor does it cover the Power-Pole MICRO shallow water anchor for anything other than its intended use.
5. JL Marine Systems, Inc. reserves the right to change products and designs without incurring any obligations to incorporate such changes in already completed products, or those in the hands of dealers or consumers. Products repaired or replaced under this warranty may or may not have these changes.

Shipping (Only applies to packages shipped within the Continental U.S.)

1. Parts which prove defective within (90) days from the date of purchase, JL Marine Systems, Inc. will pay for the replacement product shipping and handling fees to and from the JL Marine Systems, Inc. manufacturing plant or some other place which JL Marine Systems, Inc. might designate.
2. Parts which prove defective after (90) days but before (12) months from the date of purchase will also be repaired or replaced free of charge, but there may be a shipping charge to JL Marine Systems, Inc. manufacturing plant or some other place which JL Marine Systems, Inc. might designate.
3. Parts which prove defective after (12) months will also be repaired or replaced free of charge, but there may be a shipping and handling charge to and from the JL Marine Systems, Inc. manufacturing plant or some other place which JL Marine Systems, Inc. might designate.

Parts

1. The **MICRO Driver Unit** and **Adjustable Mounting Bracket** which proves defective within (24) months from date of purchase will be repaired or replaced free of charge. Unit damage due to incorrect power supply, submersion or excessive exposure to water may void this warranty.
2. A **Dash Switch** or **Key-Fob** remote control which proves defective before (24) months, will be repaired or replaced free of charge. In the case of replacement, parts of same (or equivalent) model will be used.
3. **This warranty does not cover water damage in any way.**

THE WARRANTY CONTAINED HEREIN IS THE EXCLUSIVE WARRANTY MADE BY JL Marine Systems, Inc. AND THERE ARE NO OTHER WARRANTIES, EXPRESSED OR IMPLIED, INCLUDING A WARRANTY OF FITNESS FOR A PARTICULAR PURPOSE OR OF MERCHANTABILITY MADE WITH RESPECT TO SUCH ANCHORS. JL MARINE SYSTEMS, INC. IS NOT LIABLE FOR ANY INJURY OR MISHAPS SUSTAINED IN THE USE OF THIS PRODUCT. THE USER OF THIS PRODUCT ACKNOWLEDGES ASSUMED RISKS AND WAIVES ANY AND ALL CLAIMS AGAINST JL Marine Systems, Inc. AND ANY OF IT'S AGENTS.

This warranty applies under conditions of normal use. The warranty does not cover: 1) defects caused by improper assembly or disassembly; 2) defects occurring after purchase due to product modification, intentional damage, accident, misuse, abuse, negligence or exposure to corrosive elements; 3) cosmetic damage and 4) labor or assembly costs. Except as provided herein, JL Marine Systems, Inc. makes no express warranties, and any implied warranty, including without limitation any implied warranty of merchantability or fitness for a particular purpose, is limited in its duration to the duration of the written limited warranty set forth herein. Except as provided herein, JL Marine Systems, Inc. shall have no liability or responsibility to the purchaser or any other person or entity with respect to any liability, loss or damage caused or alleged to be caused directly or indirectly by use of the product, including, but not limited to, any incidental or consequential damages. Some states do not allow limitation on how long an implied warranty lasts or the exclusion of limitation of incidental or consequential damages, so the above limitation and exclusion may not apply to you. This warranty gives you specific legal rights. You may also have other rights which vary from state to state.



General Statement (for all devices)

Warning: Changes or modifications to this device not expressly approved by JL Marine Systems, Inc. could void the user's authority to operate the equipment.

FCC Specific Statement

NOTE: This equipment has been tested and found to comply with the limits for a Class B digital device, pursuant to Part 15 of the FCC Rules. These limits are designed to provide reasonable protection against harmful interference in a residential installation. This equipment generates, uses, and can radiate radio frequency energy and, if not installed and used in accordance with the instructions, may cause harmful interference to radio communications. However, there is no guarantee that interference will not occur in a particular installation. If this equipment does cause harmful interference to radio or television reception, which can be determined by turning the equipment off and on, the user is encouraged to try to correct the interference by one or more of the following measures:

- Reorient or relocate the receiving antenna.
- Increase the separation between the equipment and receiver
- Connect the equipment into an outlet on a circuit different from that to which the receiver is connected
- Consult the dealer or an experienced radio/TV technician for help

FCC Part 15.19 Warning Statement – (Required for all Part 15 devices) THIS DEVICE COMPLIES WITH PART 15 OF THE FCC RULES. OPERATION IS SUBJECT TO THE FOLLOWING TWO CONDITIONS: (1) THIS DEVICE MAY NOT CAUSE HARMFUL INTERFERENCE, AND (2) THIS DEVICE MUST ACCEPT ANY INTERFERENCE RECEIVED, INCLUDING INTERFERENCE THAT MAY CAUSE UNDESIRE OPERATION.

FCC/ISED RF Exposure

ENGLISH: This equipment complies with radiation exposure limits set forth for an uncontrolled environment. This equipment is in direct contact with the body of the user under normal operating conditions. The transmitter must not be co-located or operating in conjunction with any other antenna or transmitter.

FRENCH: Cet équipement est conforme aux limites d'exposition aux radiations dans un environnement non contrôlé. Cet équipement est en contact direct avec le corps de l'utilisateur dans des conditions de fonctionnement normales. Cet émetteur ne doit pas être co-localisées ou opérant en conjonction avec tout autre antenne ou transmetteur.

ENGLISH: This device complies with Industry Canada license-exempt RSS standard(s). Operation is subject to the following two conditions: (1) this device may not cause interference, and (2) this device must not accept any interference, including interference that may cause undesired operation of the device.

FRENCH: Le présent est conforme aux CNR d'Industrie Canada applicables aux appareils radio exempts de licence. L'exploitation est autorisée aux deux conditions suivantes: (1) l'appareil ne doit pas produire de brouillage, et (2) l'utilisateur de l'appareil doit accepter tout brouillage radioélectrique subi, même si le brouillage est susceptible d'en compromettre le fonctionnement.

CAUTION:

Do not use the Power-Pole shallow water anchor as your primary anchorage.
Never leave your boat unattended while anchored solely with the Power-Pole shallow water anchor.

Need help? Contact our Technical Support Team at

1 + 813.689.9932 option 2



micro[®]
anchor

9010 Palm River Road, Tampa, Florida 33619

Phone 813-689-9932 Fax 813-689-8883

www.power-pole.com



©2019 all rights reserved. Power-Pole Shallow Water Anchor U.S. Patent No. 9,187,152 B2

Micro-install-owner-internet-012019